

LUX M11



KUBOTA Z482 | 2 CYL | 1500 RPM
LIQUID COOLED ENGINE



VERTICAL TELESCOPIC MAST
MAX HEIGHT | 9 m
LIFETIME WARRANTY



RATED OUTPUT | 3.5kVA - 230V
OUTLET SOCKET | 1.3kVA - 230V



FUEL CONSUMPTION | 0.55 l/h
RUNNING TIME | 145 h



LED FLOODLIGHTS | 4X300 W
ILLUMINATED AREA | 4500 m²



340° MAST ROTATION
ADJUSTABLE FLOODLIGHT



GALVANIZED METAL BODY
80 µm POWDER COATING

LM SERIES



MADE IN
ITALY



LUXTOWER 
lighting towers

LM Series

LUX M11

TECHNICAL DATA

Rough dimensions & weight

Dimensions min.	mm	2390 X 1380 X 2640
Dimensions max.	mm	2390 X 2370 X 9000
Total weight without fuel	Kg	690

Features

Rotation		340°
Floodlight	W	4 X 300 W
Lamps		LED
Wind stability	Km/h	80
Optional		Light sensor Main/generator switch Bunded tank

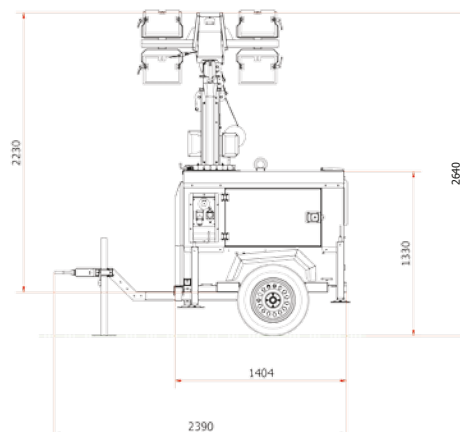
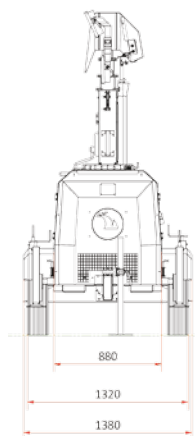
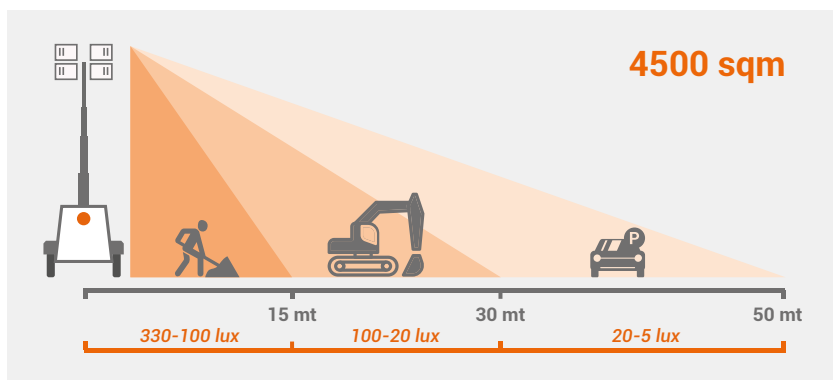
Alternator

Model		Synchronous Linz Alumen
Frequency	Hz	50
Degree of protection	IP	23
Rated output	kVA/V	3.5 - 230
Outlet socket	kVA	1.3

Engine

Model		Kubota Z482 2 cyl. liquid cooled
Fuel		Diesel
r.p.m.		1500
Noise Level	db at 7 meters	65
Tank capacity	l	80
Running time	h	145
Fuel consumption	l/h	0.55

Illuminated Area // 5 lux min



Load Delivery



40" HC Container 16 Units
20" Container 6 Units



Truck | **Assembled** 10 Units
Disassembled 18 Units



Luxtower: Via Strada Nuova, 28 - 27050 Codevilla (PV) ITALY | TLF. +39 0383 365544 | Fax +39 0383 49702

LUXTOWER ongoing policy is in continuous improvement. The company reserves the right to modify the technical specifications and items described in this catalogue at any time and without notice for technical or commercial reasons. Product images are shown for information only. LUXTOWER® - 2016© All rights reserved.